

LLAS5 Photo Controls

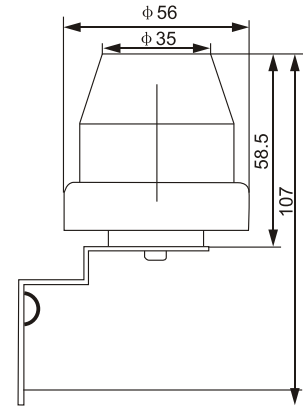


LLAS5 10A

LLAS5

- ⊙ Electronic Photo Control
- ⊙ Rated voltage: 120/240V~(applicable 105-240V~)
- ⊙ Rated frequency: 50/60Hz
- ⊙ Rated current: 3A, 6A, 10A
- ⊙ Load: 150-1600W TUNGSTEN
- ⊙ Light level: ON/OFF; 10-16LUX/ 20-30LUX or at customers'option
- ⊙ Acting time: <15"
- ⊙ Temperature range: -40℃~+70℃
- ⊙ Electrical life: >5000CYCLES

Exterior dimension(mm)



LLAS6 Photo Controls

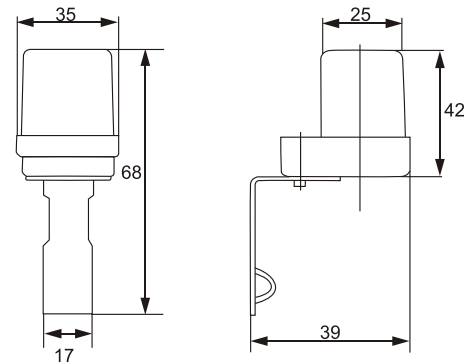


LLAS6-T 3A,6A



LLAS6-E 3A,6A

Exterior dimension(mm)
LLAS6 3A,6A



LLAS6-E

- ⊙ Electronic Photo Control
- ⊙ Rated voltage: 110/240V~(applicable 105-240V~)
- ⊙ Rated frequency: 50/60Hz
- ⊙ Rated current: 3A, 6A
- ⊙ Load: 150-1200W TUNGSTEN
- ⊙ Light level: ON/OFF; 10-16LUX/20-30LUX or at customers'option
- ⊙ Acting time: <15"
- ⊙ Temperature range: -40℃~+70℃
- ⊙ Electrical life: >6000CYCLES



LLAS6-T 10A

LLAS6-T

- ⊙ Thermal photo control
- ⊙ Rated voltage: 110V/240V/~
(applicable 105V, 127V, 230V, 240V)
- ⊙ Rated frequency: 50/60Hz
- ⊙ Rated current: 3A, 6A, 10A,
- ⊙ Load: 150-1600W TUNGSTEN
- ⊙ Light level: on/off; 10-16LUX/50-80LUX
- ⊙ Acting time: 30" ~180"
- ⊙ Temperature range: -40℃~+70℃
- ⊙ Electrical life: >6500CYCLES

Exterior dimension(mm)
LLAS6 10A

